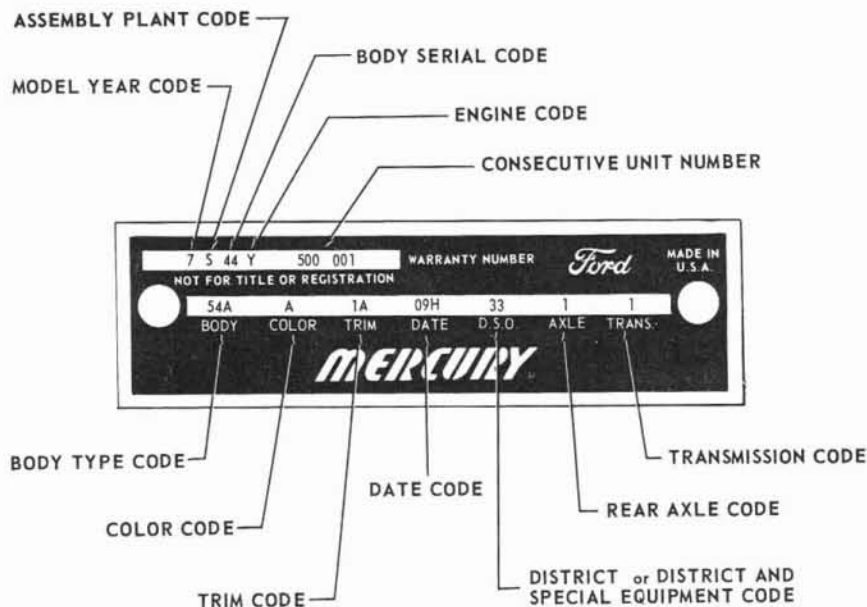


# Vehicle Identification

GROUP

1



N 1528-A

FIG. 1—Typical Warranty Plate — Mercury Shown

## VEHICLE WARRANTY NUMBER

The vehicle warranty number is the first line of numbers and letters appearing on the Warranty Plate (Fig. 1). The first number indicates the model year. The letter following the model year number indicates the manufacturing assembly plant. The next two numbers designate the Body Serial Code followed by a letter expressing the Engine Code. The group of six digits remaining on the first line indicate the Consecutive Unit Number.

## VEHICLE DATA

The vehicle data appears on the second or lower line on the Warranty Plate. The first two numbers and a letter identify the Body Style. A letter or a number appears next indicating the Exterior Paint Color followed by a number-letter combination designating the Interior Trim. To the right of this code appears the Date Code indicating the date the car was manufactured. A two-digit number next designates the district in which the car was ordered and may appear in conjunction with a Domestic Special Order or Foreign Special Order number when applicable. The final two spaces indicate the Rear Axle Ratio (numbers for regular axles, letters for locking-types) and the Transmission type (numbers for manual, letters for automatic).

## OFFICIAL VEHICLE IDENTIFICATION NUMBERS

The official Vehicle Identification Numbers for titles and registration purposes are stamped in the following locations:

Mercury (Full-size) — On a tab attached to the top right side (weld flange) of the dash panel in the engine compartment (Fig. 2).

Mercury (Intermediate-size) — On the top surface of the radiator and front fender apron support (near the radiator fill cap) Fig. 3.

Cougar — On the top upper flange of the left front fender apron (Fig. 4).

Lincoln — On the right front fender apron above the upper suspension arm opening (Fig. 5).

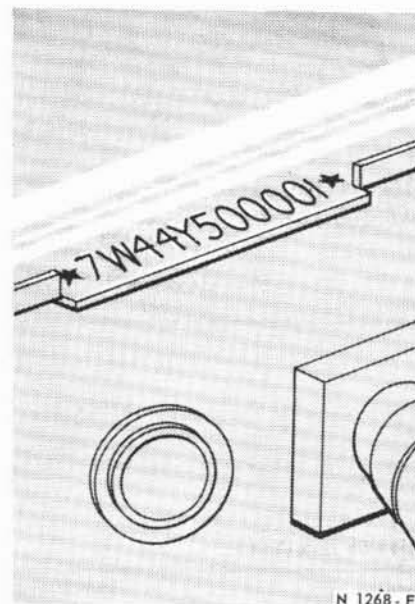


FIG. 2—Mercury (Full-Size) Identification Number Location

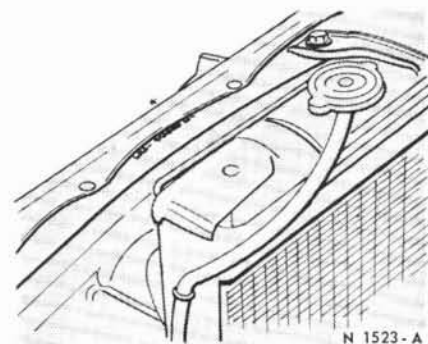


FIG. 3—Mercury (Intermediate-Size) Identification Number Location



FIG. 4—Cougar Identification Number Location

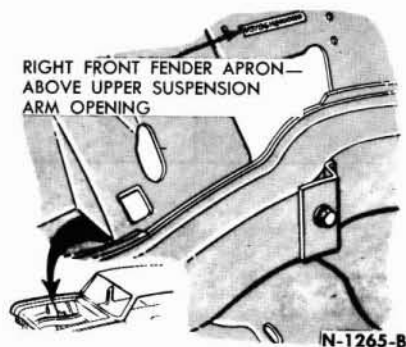


FIG. 5—Lincoln Identification  
Number Location

#### INTERIOR TRIM CODES

Code	Trim Schemes
1A	Black Cloth and Black Vinyl
1B	Blue Cloth and Blue Vinyl
1D	Red Cloth and Red Vinyl
1G	Ivy Gold Cloth and Ivy Gold Vinyl
1K	Aqua Cloth and Aqua Vinyl
1L	Lt. Silver Cloth and Lt. Silver Vinyl
1U	Parchment Cloth and Parchment Vinyl W/Black
2A	Black Vinyl ①
2B	Blue Vinyl ①
2D	Red Vinyl ①
2F	Saddle Vinyl ①
2G	Ivy Gold Vinyl ①
2K	Aqua Vinyl
2L	Silver Leather
2U	Parchment Vinyl W/Black ①
3B	Blue Cloth and Blue Vinyl
3G	Ivy Gold Cloth and Ivy Gold Vinyl
3K	Aqua Cloth and Aqua Vinyl
3L	Silver Cloth and Silver Vinyl
3U	Parchment Cloth and Parchment Vinyl W/Black
4A	Black Vinyl
4B	Blue Vinyl
4D	Red Vinyl
4G	Ivy Gold Vinyl
4K	Aqua Vinyl
4U	Parchment Vinyl
5A	Black Cloth and Black Vinyl ①
5B	Dark Blue Cloth and Blue Vinyl ①
5D	Dark Red Leather
5F	Saddle Leather
5G	Dk. Ivy Gold Cloth and Ivy Gold Vinyl ①
5K	Aqua Cloth and Aqua Vinyl
5L	Silver Cloth and Silver Vinyl
5U	Parchment Cloth and Parchment Vinyl W/Saddle ①
6A	Black Vinyl
6B	Dark Blue Vinyl
6D	Red Vinyl
6F	Saddle Vinyl
6G	Dk. Ivy Gold Vinyl
6K	Aqua Vinyl
6U	Parchment Vinyl
7A	Black Vinyl ①
7B	Blue Vinyl ①
7D	Red Vinyl

#### INTERIOR TRIM CODES - (continued)

Code	Trim Schemes
7F	Saddle Vinyl
7G	Ivy Gold Vinyl
7U	Parchment Cloth and Parchment Vinyl ①
8A	Black Vinyl
8B	Blue Vinyl
8D	Red Vinyl
8F	Saddle Vinyl
8U	Parchment Vinyl W/Black
9A	Black Cloth and Black Vinyl
9B	Dk. Blue Cloth and Dk. Blue Vinyl
9G	Dk. Ivy Gold Cloth and Dk. Ivy Gold Vinyl
9K	Aqua Cloth and Aqua Vinyl
9L	Silver Cloth and Silver Vinyl
9U	Parchment Cloth and Parchment Vinyl W/Black
AG	Lt. Ivy Gold Cloth and Lt. Ivy Gold Vinyl
BA	Parchment Vinyl W/Black
BB	Parchment Vinyl W/Blue
BD	Parchment Vinyl W/Red
BF	Parchment Vinyl W/Saddle
BG	Parchment Vinyl W/Ivy Gold ①
BK	Parchment Vinyl W/Aqua ①
CA	Parchment Vinyl W/Black
CB	Parchment Vinyl W/Blue
CD	Parchment Vinyl W/Red
CF	Parchment Vinyl W/Saddle
DA	Black Vinyl
DB	Blue Vinyl
DD	Red Vinyl
DG	Lt. Ivy Gold Cloth and Lt. Ivy Gold Vinyl
EG	Lt. Ivy Gold Leather
EK	Lt. Aqua Leather
FA	Parchment Vinyl W/Black
FB	Parchment Vinyl W/Blue
FD	Parchment Vinyl W/Red
FG	Parchment Vinyl W/Ivy Gold
FK	Parchment Vinyl W/Aqua
GG	Lt. Ivy Gold Leather
JD	Dark Red Leather
KA	Black Cloth and Black Vinyl
KB	Dk. Blue Cloth and Dk. Blue Vinyl
KD	Dk. Red Cloth and Dk. Red Vinyl
KG	Ivy Gold Cloth and Ivy Gold Vinyl
KU	Parchment Cloth and Parchment Vinyl W/Saddle
LB	Red Vinyl
LD	Blue Vinyl
LU	Parchment Cloth and Parchment Vinyl W/Black
MA	Parchment Vinyl W/Black
MB	Parchment Vinyl W/Blue
MD	Parchment Vinyl W/Red
MF	Parchment Vinyl W/Saddle
MG	Parchment Vinyl W/Ivy Gold
MK	Parchment Vinyl W/Aqua
SU	Parchment Cloth and Parchment Vinyl W/Black
TD	Dark Red Leather
UA	Parchment Vinyl W/Black
UB	Parchment Vinyl W/Blue
UD	Parchment Vinyl W/Red
UF	Parchment Vinyl W/Saddle
UG	Parchment Vinyl W/Ivy Gold
UK	Parchment Vinyl W/Aqua

① Leather on Lincoln Continental

ENGINE CODES		
Code	Type	
T	6 Cyl.	200 Cu. In. (1V)
2	6 Cyl. ①	200 Cu. In. (1V)
C	8 Cyl.	289 Cu. In. (2V)
3	8 Cyl. ①	289 Cu. In. (2V)
A	8 Cyl.	289 Cu. In. (4V) Prem. Fuel
Y	8 Cyl.	390 Cu. In. (2V)
H	8 Cyl.	390 Cu. In. (2V)
S	8 Cyl.	390 Cu. In. (4V)
M	8 Cyl.	410 Cu. In. (4V)
Q	8 Cyl.	428 Cu. In. (4V)
8	8 Cyl. ①	428 Cu. In. (4V)
P	8 Cyl.	428 Cu. In. (4V) Police
G	8 Cyl.	462 Cu. In. (4V)
7	8 Cyl. ①	462 Cu. In. (4V)
W	8 Cyl.	427 Cu. In. (4V) Hi-Perf.
R	8 Cyl.	427 Cu. In. (8V) Hi-Perf.

① Low Compression

**MODEL YEAR CODE**

The number 7 designates 1967.

**ASSEMBLY PLANT CODES**

Code Letter	Assembly Plant	Code Letter	Assembly Plant
A	Atlanta	L	Michigan Truck
B	Oakville (Canada)	N	Norfolk
C	Ontario Truck	P	Twin Cities
D	Dallas	R	Jan Jose
E	Mahwah	S	Pilot Plant
F	Dearborn	T	Metuchen
G	Chicago	U	Louisville
H	Lorain	W	Wayne
J	Los Angeles	Y	Wixom
K	Kansas City	Z	St. Louis

**TRANSMISSION CODES**

Code	Type
1	3-Speed Manual
3	3-Speed Manual
5	4-Speed Manual
W	Automatic (C4)
U	Automatic (C6)
Y	Automatic (MX)
X	Automatic (FX)
Z	Automatic (XPL Special)

**REAR AXLE RATIO CODES**

A number designates a conventional axle, while a letter designates a locking differential.

Code	Ratio	Code	Ratio
1	3.00:1	A	3.00:1
4	3.25:1	D	3.25:1
5	3.50:1	-	-
6	2.80:1	F	2.80:1

**DATE CODES**

A number signifying the date precedes the month code letter. A second-year code letter will be used if the model exceeds 12 months.

Month	Code First Year	Code Second Year
January	A	N
February	B	P
March	C	Q
April	D	R
May	E	S
June	F	T
July	G	U
August	H	V
September	J	W
October	K	X
November	L	Y
December	M	Z

**DISTRICT CODES (DSO)**

Units built on a Domestic Special Order, Foreign Special Order, or other special orders will have the complete order number in this space. Also to appear in this space is the two-digit code number of the District which ordered the unit. If the unit is a regular production unit, only the District code number will appear.

Code	District	Code	District
11	Boston	34	Detroit
16	Philadelphia	41	Chicago
15	New York	42	St. Louis
17	Washington	46	Twin Cities
21	Atlanta	51	Denver
22	Dallas	52	Los Angeles
23	Jacksonville	53	Oakland
26	Memphis	54	Seattle
31	Buffalo	84	Home Office Reserve
32	Cincinnati	90	Export
33	Cleveland		

## BODY SERIAL AND STYLE CODES

The two-digit numeral which follows the assembly plant code identifies the body series. This two-digit number is used in conjunction with the Body Style Code, in the Vehicle Data, which consists of a two-digit number with a letter suffix. The following chart lists the Body Serial Codes, Body Style Codes and the model.

## MERCURY (Full-Size and Intermediate-Size)

Body Serial Code	Body Style Code	Body Type	Model
44	54A	4-Door Sedan ①	Monterey
44	54B	4-Door Sedan ① ③	
48	57A	4-Door Hardtop ①	
47	63A	2-Door Hardtop ①	
45	76A	2-Door Convertible ①	
47	63G	2-Door Hardtop ②	
45	76G	2-Door Convertible ②	
54	54C	4-Door Sedan ①	Montclair
54	54D	4-Door Sedan ① ③	
58	57B	4-Door Hardtop ①	
57	63B	2-Door Hardtop ①	
64	54E	4-Door Sedan ①	Parklane
68	57F	4-Door Hardtop ①	
67	63F	2-Door Hardtop ①	
65	76F	2-Door Convertible ①	
61	54J	4-Door Sedan ①	Brougham
62	57C	4-Door Hardtop ①	
69	63D	2-Door Hardtop ④	Marquis
72	71B	4-Door 6 Passenger	Commuter
72	71C	4-Door 9 Passenger	
76	71E	4-Door 6 Passenger	Colony Park
02	54A	4-Door Sedan ①	Comet 202
01	62A	2-Door Sedan ①	
08	54B	4-Door Sedan ①	Comet Capri
07	63B	2-Door Hardtop ①	
10	54D	4-Door Sedan ①	Caliente
11	63D	2-Door Hardtop ①	
12	76D	2-Door Convertible ①	
15	63E	2-Door Hardtop ②	Cyclone
16	76C	2-Door Convertible ②	
17	63H	2-Door Hardtop ②	GT
18	76H	2-Door Convertible ②	
03	71A	4-Door 6 Passenger	Comet Voyager
08	71C	4-Door 6 Passenger	Villager

- ① Bench Seat  
 ② Bucket Seat  
 ③ Drop Backlite  
 ④ Split Bench Seat

## BODY SERIAL AND STYLE CODES - (Continued)

## COUGAR

Body Serial Code	Body Style Code	Body Type
91	65A	2-door Hardtop (Bucket Seat)
91	65B	2-Door Hardtop (Bucket Seat) ①
91	65D	2-Door Hardtop (Bench Seat) ①
91	65C	2-Door Hardtop (Bench Seat)
① Luxury Model		

## LINCOLN CONTINENTAL

Body Serial Code	Body Style Code	Body Type
82	53A	4-Door Sedan
89	65A	2-Door Hardtop
86	74A	4-Door Convertible

## CONSECUTIVE UNIT NUMBER

Each model year, each assembly plant begins production with number 500001 (Mercury, Comet or Cougar) or 800001 (Lincoln-Continental) and continues on for each unit built.

## EXTERIOR PAINT COLOR CODES

Code	M-30-J M-32-J	Color
A	1724-A	Black
B	1734-A	Lt. Aqua
C	1900-A	Dk. Gray Met.
E	2045-A	Med. Beige Met.
F	1226-A	Lt. Blue
H	2067-A	Diamond Green
I	2041-A	Lime Met.
K	1903-A	Dk. Blue Met.
M	1619-A	White
N	921-A	Platinum
O	2040-A	Lt. Green
P	2065-A	Pewter Met.
Q	1624-A	Med. Blue Met.
R	1879-A	Dk. Green Met.
T	2008-A	Red
U	1070-A	Med. Turquoise Met.
V	2066-A	Bronze Met.
W	1908-A	Med. Aqua Met.
X	1632-A	Maroon Met.
Y	2039-A	Dk. Green Met.
Z	1915-A	Med. Gold Met.
2	1633-A	Yellow
4	1901-A	Med. Gray Met.
6	1631-A	Lt. Beige
8	1955-A	Yellow